

MTS 1-PHASE CONTROL AND ISOLATION TRANSFORMER

P: 100VA IN: 230/400VAC OUT: 230VAC

Single-phase - Control and Isolation Transformers

100 VA

Spring clamp terminals

Isolation class T 40/B

Protection IP20

Other voltages on request.

Illustration

Product may differ from image

Approvals**Input**

Input voltage	230/400 V AC
Input current	0.51 A (230 V AC); 0.29 A (400 V AC)
Inrush current	3.53 A (230 V AC); 2 A (400 V AC)
Short-circuit current	4.86 A (230 V AC); 2.8 A (400 V AC)
Frequency	50...60 Hz

Output

Output voltage	230 V AC
Output rating	100 VA

General data

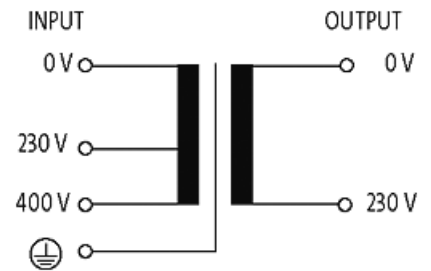
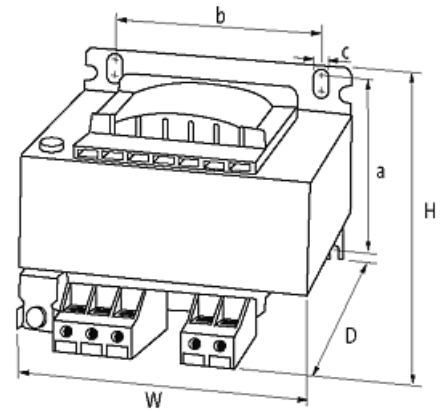
Test isolation voltage	4 kV (prim./sec.)
Standards	EN 61558-1, EN 61558-2-4, EN 62041 category 0
Drill hole Ø	4.8×8.4 mm
Mounting method	Long-hole mounting or DIN-rail mountable TH35 (EN 60715)
Fixing centers a×b×c	64.5×64×4.8 mm
Dimensions H×W×D	86×84×98 mm
Temperature range	-20...+40 °C (storage temperature -40...+80 °C)

Commercial data

The information in this brochure has been compiled with the utmost care.

Liability for the correctness completeness and topicality of the information is restricted to gross negligence. Version: 10/20

country of origin	CZ
customs tariff number	85043180
EAN	4048879066051
eClass	27031302
Packaging unit	1

Sketch

Product may differ from Image